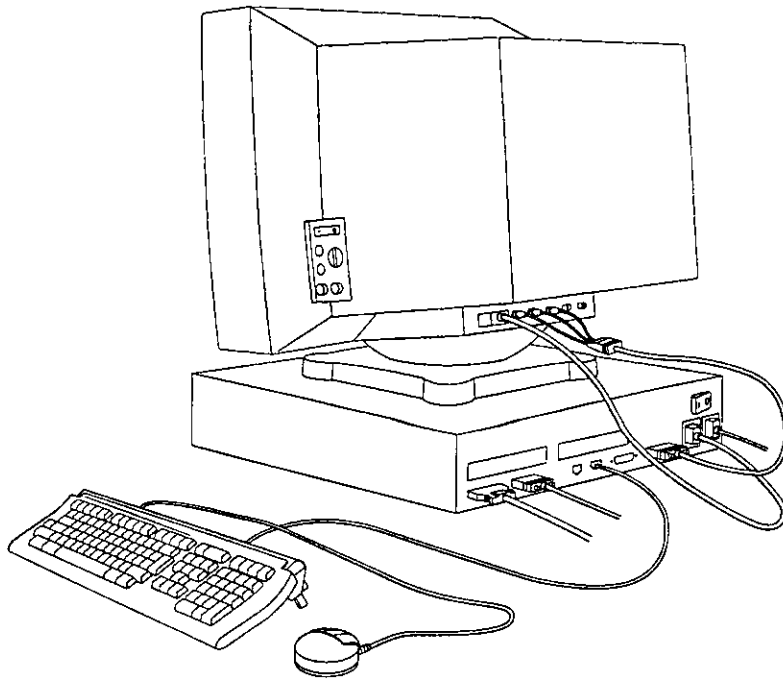


digital™

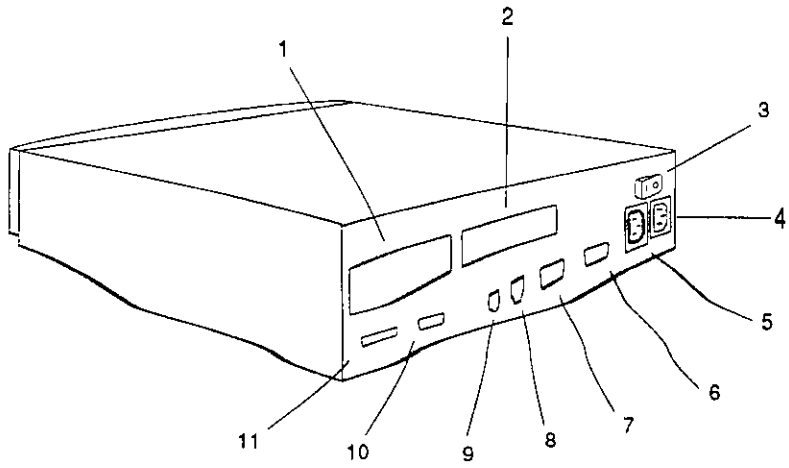
## Personal DECstation 5000 Quick Reference Card



WSM00R02

© Digital Equipment Corporation 1991

EK-PM30B-RG-001



- |   |  |
|---|--|
| 1. Turbochannel option slot 0             | 7. Serial communications connector           |
| 2. Turbochannel option slot 1             | 8. Keyboard-mouse connector                  |
| 3. On/off switch                          | 9. Sound connector                           |
| 4. System unit power connector            | 10. Base system ThickWire Ethernet connector |
| 5. Monitor-to-system-unit power connector | 11. Base system SCSI connector               |
| 6. Graphics video connector               |  |

WSMXR001

**Figure 1. Personal DECstation 5000 system unit**

Table 4. Other Console Commands

<b>cat</b> <i>#/scriptname</i>	Display a script.
cat 2/testtap	Display the script testtap stored in ROM memory in TURBOchannel option slot 2.
<b>erl</b> [ <i>OPTION</i> ]	Display the system log of error messages.
erl -c	Clear all messages from the log.
<b>init</b> [#] [ <i>argument...</i> ]	Initialize a module.
init	Initialize all modules.
init 1	Initialize option module 1.
init 3 -m	Initialize the system module and clear base system memory.
<b>ls</b> [#]	List the test scripts stored in a module ROM.
ls	List the test scripts stored in all the module ROMs.
ls 1	List the test scripts stored in the ROM on TURBOchannel option module 1.
<b>passwd</b> [ <i>OPTIONS</i> ]	Set the console password.
passwd	Display the password prompt so you can set your password.
passwd -s	Display the password prompt to set a new password.
passwd -c	Clear the console password.
<b>restart</b>	Restart the operating system software.
<b>script</b> <i>scriptname</i>	Write a temporary script (end with two Returns).
script setall	Write a temporary script named setall.
<i>scriptname</i>	Run the temporary script <i>scriptname</i> .
<b>sh</b> [ <i>OPTIONS</i> ] [ <i>#/scriptname</i> ] [ <i>argument...</i> ]	Open a shell to run a script.
sh 0/setall	Run a script named setall that is stored in ROM memory in TURBOchannel option slot 0. See the options for sh in Chapter 11 of the <i>DECstation 5000 Model 100 Series Hardware Operator's Guide</i> .
sh <i>#/pst-t</i>	Test TURBOchannel option slot # with a thorough system self-test.
<b>t</b> [ <i>OPTION</i> ] [ <i>#/testname</i> ] [ <i>argument...</i> ]	Execute a self-test.
t 3/ni/regs	Test the base system Ethernet register.
t -1 2/ni/dma1	Test TURBOchannel option slot 2 with the self-test ni/dma1. Run the test in a continuous loop (-1).
t #/ ?	List all of the tests available for slot #.
<b>test</b>	Tests all modules.

**Table 1. Booting the System Software**

---

**boot [OPTIONS] [#/*path*] [*arguments...*]**

boot	Boot ULTRIX using the option and path specified in the boot environment variable (see Table 3).
boot "3/rz2/vmunix -a"	Boot ULTRIX in multiuser mode (vmunix -a) from drive rz2 in base slot 3.
boot 3/mop	Boot ULTRIX in single-user mode over the Ethernet network connected to base system hardware.
<b>OPTIONS</b>	
	-n Load worksystem software but do not boot it.
	-z # Wait # seconds before booting.
<b>arguments</b>	-a Multiuser boot.

---

**Table 2. Testing the Workstation Configuration**

---

**cnfg [#]**

cnfg	Display the basic configuration for all slots.
cnfg 3	Display the detailed configuration for the base system slot.

---

**Sample cnfg displays**

>>cnfg

```
① 3: ② KN02-BA DEC X1.1g TCF0 ③ ( 32 MB)
(DV -- D=8)
(Sb: devs = 2)
(FDI: 1)
(enet: 08-00-2b-0f-45-72)
(SCSI = 7)
```

- ① Slot number
- ② Model code
- ③ Module code and summary of module information

&gt;&gt;cnfg 3

<sup>1</sup>3: <sup>2</sup>KN02-BA DEC X1.1g TCF0 <sup>3</sup>( 16 MB)  
(DV -- D=8)  
(Sb: devs = 2)

<sup>4</sup>

Name	Rev	Vendor
LK501-??	AX1.3	DEC
VSXXX-BB	AX1.2	DEC

  
(FDI: 1)  
(enet: 08-00-2b-0f-45-72)  
(SCSI = 7)

<sup>5</sup> DEV	<sup>6</sup> PID		VID	REV	<sup>7</sup> SCSI DEV
rz2	RZ25	(C) DEC	DEC	0700	DIR
rz4	RRD42	(C) DEC	DEC	0700	CD-ROM

<sup>8</sup>dcache ( 64 KB), icache ( 64 KB)

<sup>9</sup>mem( 0): a0000000:a03ffffff ( <sup>10</sup>4 MB)  
mem( 1): a0400000:a07ffffff ( 4 MB)  
mem( B): a0800000:a0ffffff ( 8 MB)

&gt;&gt;

- 1 Slot number
- 2 Model code
- 3 Module code and summary of module information
- 4 Desktop bus information
- 5 SCSI device code with SCSI ID
- 6 SCSI device product ID (not always present)
- 7 SCSI device descriptor
- 8 Amount of cache memory
- 9 Memory slot number
- 10 Amount of RAM memory in slot

**Table 3. Setting Environment Variables**

---

<b>Commands</b>	
<b>setenv</b> <i>env value</i>	Set the environment variable <i>env</i> to <i>value</i> .
<b>printenv</b> [ <i>env</i> ]	Display the value of environment variable <i>env</i> .
printenv	Display the values of all environment variables.
printenv more	Display the value of the more environment variable.
<b>unsetenv</b> <i>env</i>	Clear the environment variable <i>env</i> .

---

<b>Environment Variables</b>	
<b>boot</b>	Set the parameters for a system boot.
setenv boot 3/mop	Set the boot environment variable to 3/mop.
setenv boot "3/mop -a"	Set the boot environment variable to 3/mop -a. The quotation marks are necessary when there is a blank space in the parameter.
<b>console</b>	Select the system console.
setenv console s	Make the terminal that is connected to communications connector the system console.
setenv console *	Make the workstation monitor the system console. If the workstation has more than one monitor, make the monitor in the lowest-numbered slot the system console.
	If no video is installed, a serial-line console will be selected.
<b>haltaction</b>	Set the result of turning on the power switch.
setenv haltaction b	Boot the worksystem software.
setenv haltaction h	Enter console mode.
setenv haltaction r	Restart the worksystem software without booting; boot only if the restart fails.
<b>more</b>	Set the number of lines of text to scroll before pausing.
setenv more 23	Scroll 23 lines then pause.
setenv more 0	Scroll text without pausing.
<b>testaction</b>	Set the power-up self-test.
setenv testaction q	Use the quick, less thorough self-test.
setenv testaction t	Use the complete, thorough self-test.

---